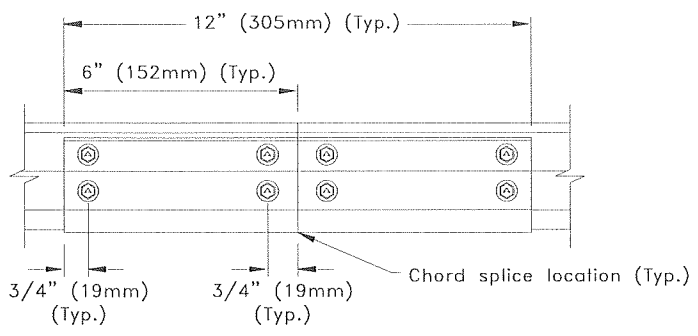
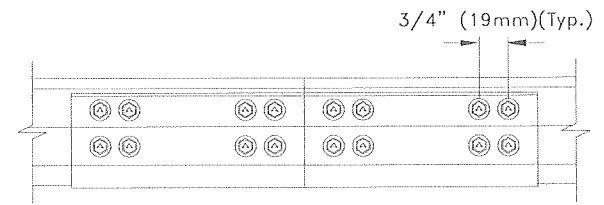


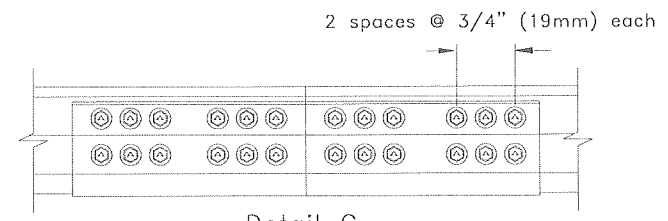
TSC2.75



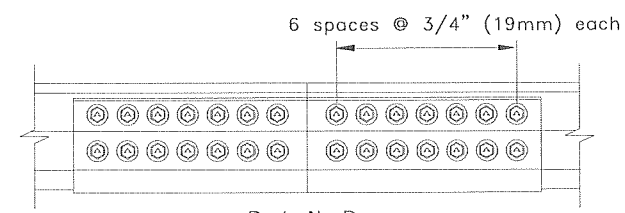
Detail A



Detail B



Detail C



Detail D

General Notes:

1. Fastener spacing and end distance is 3/4" (19mm) minimum.
2. Fasteners may be 14AMS.75 or 14AMDR1.5. Refer to approved truss drawings for fastener type and detail call out.
3. Dimensions are typical for both sides of splice per splice detail.

ALPINE TrusSteel[®]
Division of ITW Building Components Group, Inc.
www.TrusSteel.com
Florida: 1950 Marley Drive / Haines City, FL 33844 / (800) 755-6001
Missouri: 13389 Lakefront Drive / Earth City, MO 63045 / (800) 326-4102
California: 8351 Rovana Circle / Sacramento, CA 95828 / (800) 877-3678

TSC2.75 Splices Using The
TS68UP2 Universal Piece

ITW Building Components Group, Inc. shall not be responsible for any performance failure in a connection due to a deviation from this detail. Any variation from this detail shall be approved in advance by ITW Building Components Group, Inc.

PROFESSIONAL ENGINEER
STATE OF NEW YORK
GAROLD W. HEAL
Exp. 6/30/09
No. 13345
6-12-08

Standard Detail:
TS002B
Date:
06/25/07

TrusSteel Detail Category:
Chord Splices