

IMPERIAL CHORD VALUES

SECTION NAME	GAUGE	DESIGN THICKNESS (in)	FULL SECTION PROPERTIES					FULLY BRACED ALLOWABLES**			
			A <sub>g</sub> (in <sup>2</sup> )	I <sub>x</sub> (in <sup>4</sup> )	S <sub>x</sub> (in <sup>3</sup> )	I <sub>y</sub> (in <sup>4</sup> )	S <sub>y</sub> (in <sup>3</sup> )	T <sub>a</sub> (lbs.)	P <sub>a</sub> (lbs.)	M <sub>a</sub> (in-lbs.)	W <sub>t</sub> (lbs./ft.)
33W.75x.75	20	0.0346	0.0948	0.0078	0.0208	0.0078	0.0208	2556	2371	562	0.322
33W.75x1.5	20	0.0346	0.1473	0.0423	0.0564	0.0145	0.0388	3970	3541	1519	0.501
33W.75x2.0	20	0.0346	0.1823	0.0874	0.0874	0.0190	0.0507	4193	3783	2355	0.620
33W.75x2.25	20	0.0346	0.1998	0.1182	0.1051	0.0212	0.0567	5385	3860	2831	0.680

METRIC CHORD VALUES

SECTION NAME	GAUGE	DESIGN THICKNESS (mm)	FULL SECTION PROPERTIES					FULLY BRACED ALLOWABLES**			
			A <sub>g</sub> (mm <sup>2</sup> )	I <sub>x</sub> (mm <sup>4</sup> )	S <sub>x</sub> (mm <sup>3</sup> )	I <sub>y</sub> (mm <sup>4</sup> )	S <sub>y</sub> (mm <sup>3</sup> )	T <sub>a</sub> (kN)	P <sub>a</sub> (kN)	M <sub>a</sub> (kN-mm)	W <sub>t</sub> (kN/m)
33W.75x.75	20	0.8788	61	3247	341	3247	341	11.37	10.55	63.5	0.005
33W.75x1.5	20	0.8788	95	17607	924	6035	636	17.66	15.75	171.6	0.007
33W.75x2.0	20	0.8788	118	36379	1432	7908	831	18.65	16.83	266.1	0.009
33W.75x2.25	20	0.8788	129	49199	1722	8824	929	23.95	17.17	319.9	0.010

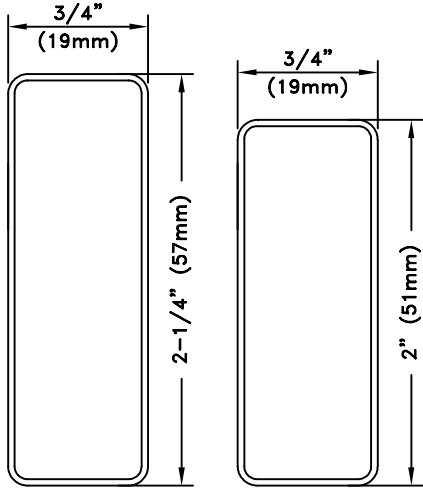
\*\*T<sub>a</sub> = Allowable Tension, P<sub>a</sub> = Allowable Compression, M<sub>a</sub> = Allowable Moment, W<sub>t</sub> = Weight

Properties determined according to American Iron and Steel Institute's North American Specification for the Design of Cold-Formed Steel Structural Members dated 2004.

All steel is ASTM A653 steel with G60 minimum galvanization  
Bare Metal Thickness is 95% of design thickness

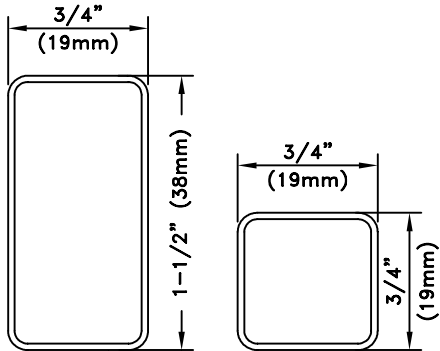
F<sub>y</sub> = 45 ksi (310 MPa)  
F<sub>u</sub> = 55 ksi (379 MPa)

The allowable values given in this table do not reflect any strength increase due to the cold work of forming.



W.75x2.25

W.75x2.0



W.75x1.5

W.75x.75

**TrusSteel**<sup>®</sup>  
Division of ITW Building Components Group, Inc.

www.TrusSteel.com

Florida: 1950 Marley Drive / Haines City, FL 33844 / (800) 755-6001  
Missouri: 13389 Lakefront Drive / Earth City, MO 63045 / (800) 326-4102  
California: 8351 Rovana Circle / Sacramento, CA 95828 / (800) 877-3678

TSC2.75 Web Properties

ITW Building Components Group, Inc. shall not be responsible for any performance failure in a connection due to a deviation from this detail. Any variation from this detail shall be approved in advance by ITW Building Components Group, Inc.



Standard Detail:  
TS009

Date:  
06/05/07

TrusSteel Detail Category:  
Member Section Properties