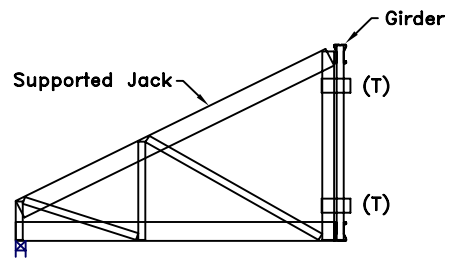


Partial Layout

(T) = TTC; for 2 clip connection, place at top and bottom as shown. For 1 clip connection, place at bottom, or as analyzed.



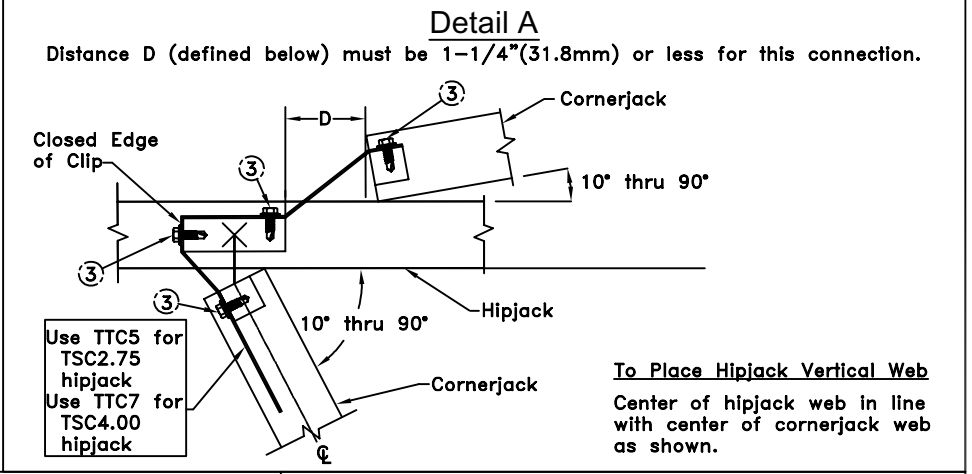
Typical Jack to Girder Connection

Supported Truss Shown in Detail	Maximum Reaction Per Supported Truss lbs. (kN)	Number of Clips
Cornerjack	500 (2.22)	1*
Cornerjack	1000 (4.44)	2
Hipjack	1235 (5.49)	2
Endjack	1235 (5.49)	2

*1 clip may be used when supported truss height is less than or equal to 4'0" (1219.2mm) and reaction of supported truss does not exceed 500lbs.(2.22kN).

General Notes:

1. The top and bottom chords of all trusses shall be properly connected to structural sheathing or purlins.
2. All edge distances are 3/8" (9.5mm) minimum.
3. All end distances and spacing are 9/16" (14.3mm) minimum.
4. Circled numbers represent quantity of #10 self-drilling tapping screws per clip.
5. Truss must be analyzed with concentrated loads directly in line with correctly placed girder vertical webs. Details A, B, C1, & C2 give correct web placement information.
6. For other connection geometries not shown on this detail contact an TrusSteel Engineer.
7. For multi-ply #1 Hips, refer to Standard Detail TS025D for ply to ply connection requirements.

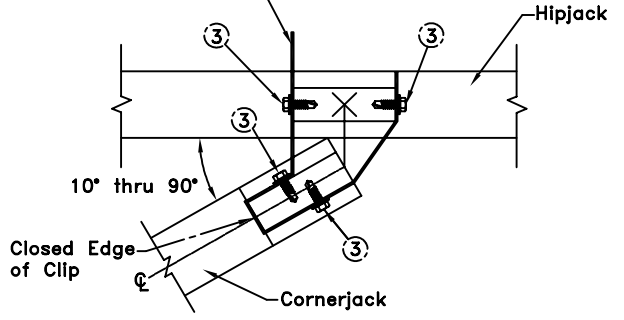


Detail A

Distance D (defined below) must be 1-1/4" (31.8mm) or less for this connection.

Detail B

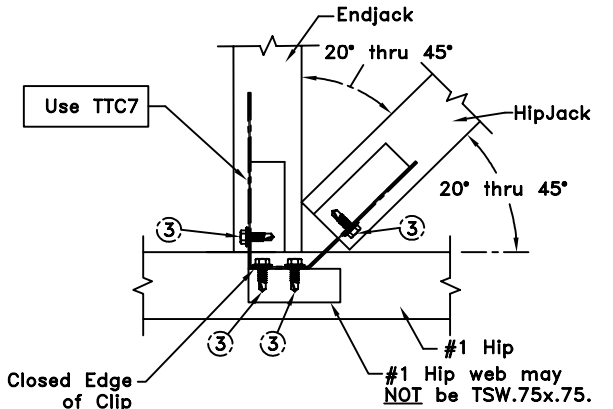
Use TTC5 for TSC2.75 Cornerjack
Use TTC7 for TSC4.00 Cornerjack



To Place Hipjack Vertical Web
Center of hipjack web in line with center of cornerjack web as shown.

Detail C1

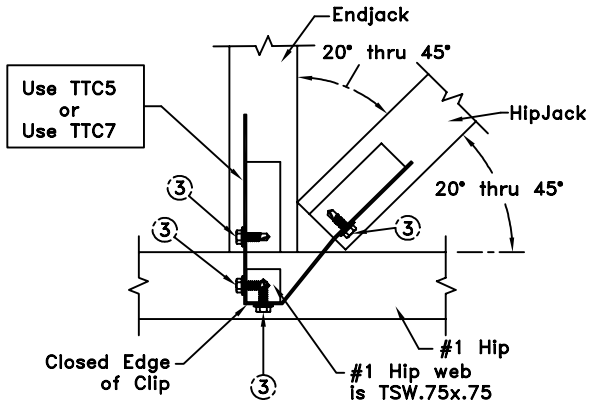
#1 Hip web greater than TSW.75x.75



To Place #1 Hip Vertical Web
Edge of #1 hip web in line with edge of endjack web as shown.

Detail C2

#1 Hip web is TSW.75x.75



To Place #1 Hip Vertical Web
Edge of #1 hip web in line with edge of endjack web as shown.

Division of ITW Building Components Group, Inc.

www.TrusSteel.com

Florida: 1950 Marley Drive / Haines City, FL 33844 / (800) 755-6001
Missouri: 13389 Lakefront Drive / Earth City, MO 63045 / (800) 326-4102
California: 8351 Rovana Circle / Sacramento, CA 95828 / (800) 877-3678

Non 45 degree Hipjack, Endjack, & Cornerjack Connection Details

ITW Building Components Group, Inc. shall not be responsible for any performance failure in a connection due to a deviation from this detail. Any variation from this detail shall be approved in advance by ITW Building Components Group, Inc.

Standard Detail: TS025A

Date: 06/11/07

TrusSteel Detail Category: Truss-to-Truss Connection