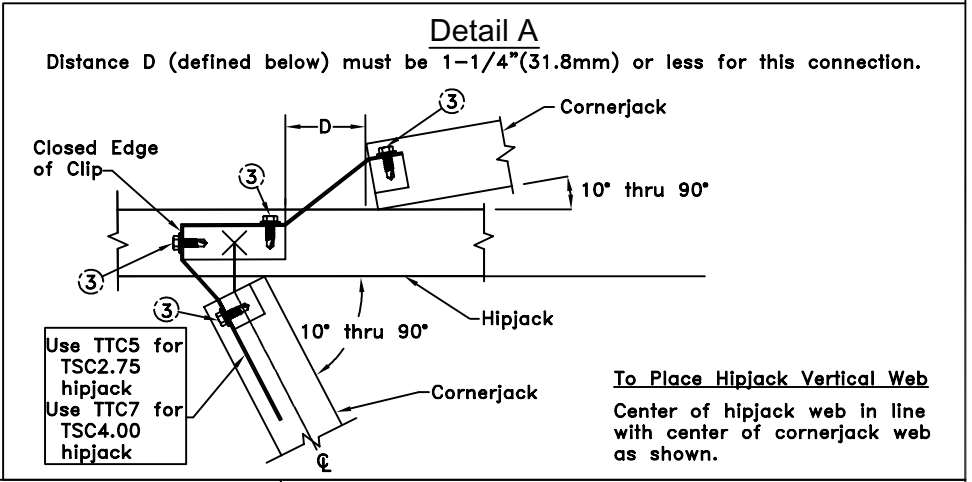
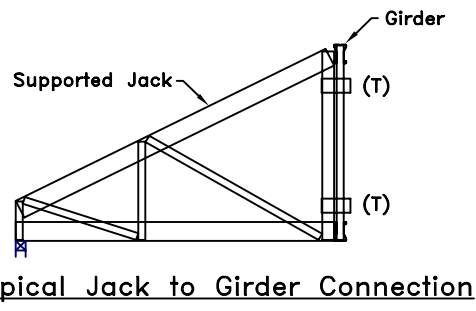


(T) = TTC; for 2 clip connection, place at top and bottom as shown. For 1 clip connection, place at bottom, or as analyzed.

Supported Truss Shown in Detail	Maximum Reaction Per Supported Truss lbs. (kN)	Number of Clips
Cornerjack	500 (2.22)	1*
Cornerjack	1000 (4.44)	2
Hipjack	1235 (5.49)	2
Endjack	1235 (5.49)	2

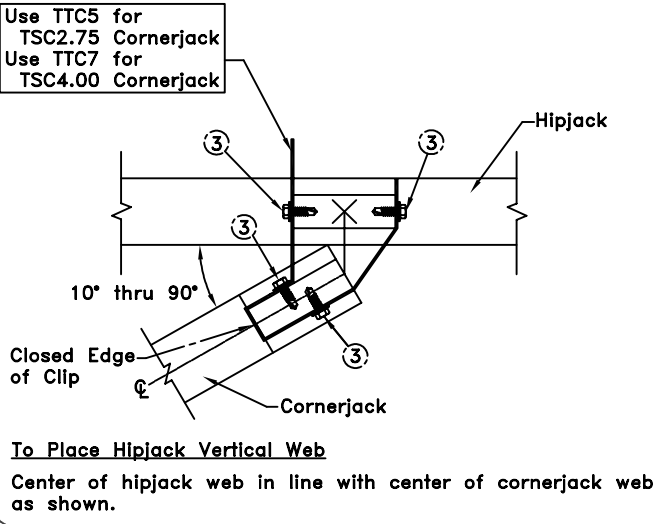
\*1 clip may be used when supported truss height is less than or equal to 4'0" (1219.2mm) and reaction of supported truss does not exceed 500lbs.(2.22kN).



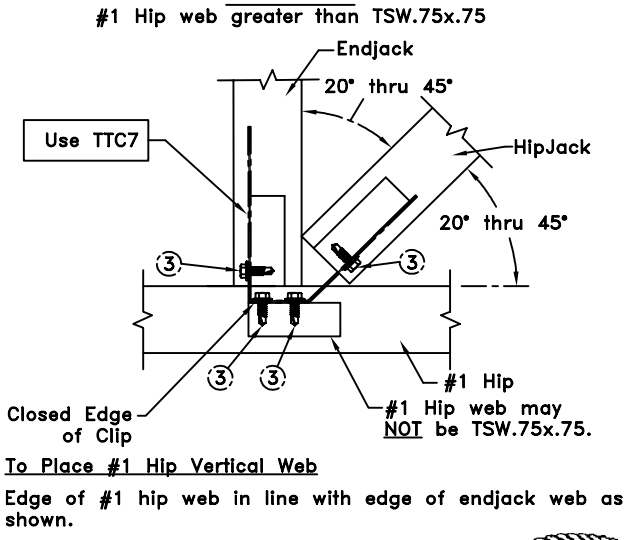
**General Notes:**

1. The top and bottom chords of all trusses shall be properly connected to structural sheathing or purlins.
2. All edge distances are 3/8" (9.5mm) minimum.
3. All end distances and spacing are 9/16" (14.3mm) minimum.
4. Circled numbers represent quantity of #10 self-drilling tapping screws per clip.
5. Truss must be analyzed with concentrated loads directly in line with correctly placed girder vertical webs. Details A, B, C1, & C2 give correct web placement information.
6. For other connection geometries not shown on this detail contact an TrusSteel Engineer.
7. For multi-ply #1 Hips, refer to Standard Detail TS025D for ply to ply connection requirements.

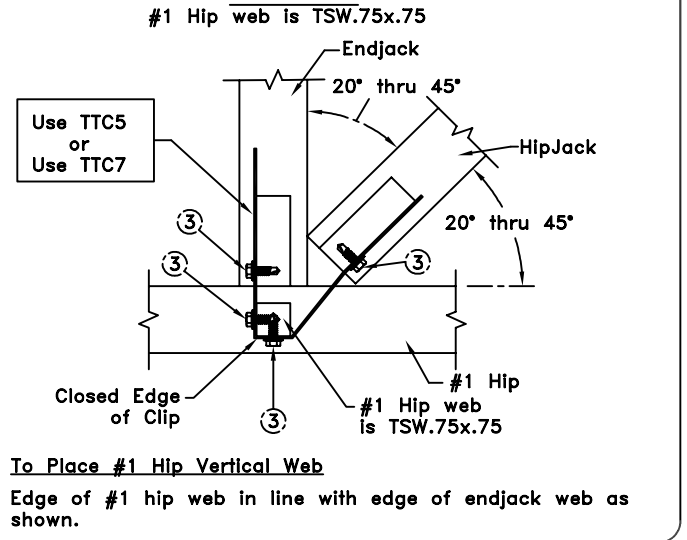
**Detail B**



**Detail C1**



**Detail C2**



Division of ITW Building Components Group, Inc.

[www.TrusSteel.com](http://www.TrusSteel.com)

Florida: 1950 Marley Drive / Haines City, FL 33844 / (800) 755-6001  
 Missouri: 13389 Lakefront Drive / Earth City, MO 63045 / (800) 326-4102  
 California: 8351 Rovana Circle / Sacramento, CA 95828 / (800) 877-3678

Non 45 degree Hipjack, Endjack, & Cornerjack Connection Details

ITW Building Components Group, Inc. shall not be responsible for any performance failure in a connection due to a deviation from this detail. Any variation from this detail shall be approved in advance by ITW Building Components Group, Inc.

Standard Detail: TS025A

Date: 06/11/07

TrusSteel Detail Category: Truss-to-Truss Connection