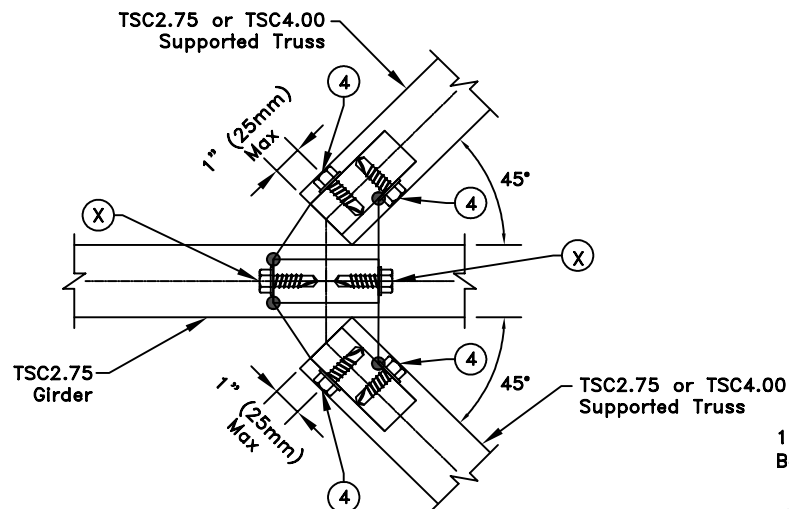
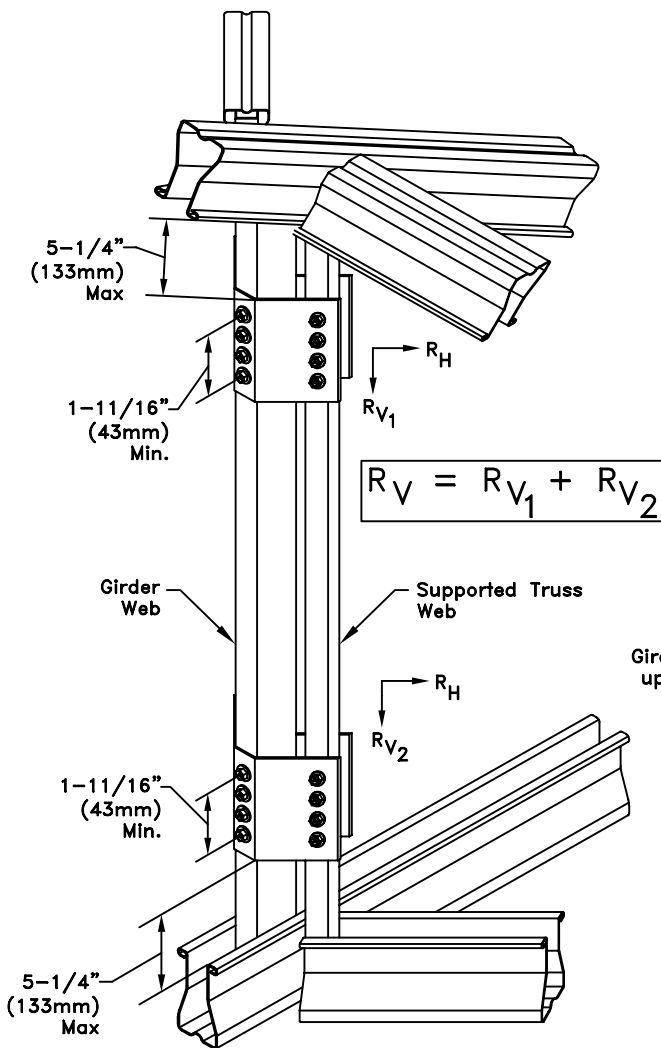
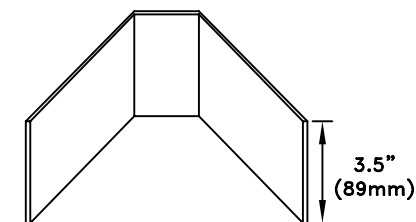


Girder Web	Max Length of Girder Web in. (mm)	Allowable Axial Force in Girder Web lbs. (kN)	Number of screws req. on each side of girder web.(X)	Per Supported Truss R <sub>H</sub> Max lbs. (kN)	Per Supported Truss R <sub>V</sub> = U Max lbs. (kN)
33W.75x1.5	36 (914)	542 (2.41)	4	175 (0.78)	270 (1.20)
33W.75x2.25	39 (991)	850 (3.78)	4	250 (1.11)	430 (1.91)



### TSC2.75 Clip Pair Cut Section

Girder web placement: Center lines of supported trusses line up with center of girder web, as shown above. The girder web center is marked with a + as shown.



16g ASTM A653 SS Grade 50 Class 1 G60  
Bare metal thickness = 0.0538" (1.37mm)

### General Clip Information

Clip shape and dimensions are different for each girder web to supported truss web combination. Bend to fit web geometry using brake, or see Technical Bulletin 06.06.28 for a listing of specific dimensions for all possible web combinations.

### General Notes:

- All edge distances are 3/8" (10mm) minimum.
- All end distances and spacing are 9/16" (14mm) minimum.
- Circled numbers represent the quantity of #10 self-drilling tapping screws.
- Girder must be analyzed with concentrated loads from supported trusses in line with center of correctly placed girder webs. "TSC2.75 Clip Pair Cut Section" gives correct girder web placement information.
- Two clips must be used for one clip pair. Two clip pairs are required for connection as shown. Supported truss must be analyzed with clip type bearings.
- = Clip Bend; Bend clip only once.
- "R<sub>V</sub>" refers to total vertical reaction of supported truss, "R<sub>H</sub>" refers to horizontal reaction of supported truss, and "U" refers to uplift of supported truss.
- This connection is for two identical trusses with one truss on each face of the girder web.

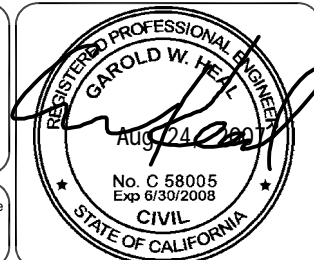


www.TrusSteel.com

Florida: 1950 Marley Drive / Haines City, FL 33844 / (800) 755-6001  
Missouri: 13389 Lakefront Drive / Earth City, MO 63045 / (800) 326-4102  
California: 8351 Rovana Circle / Sacramento, CA 95828 / (800) 877-3678

45° Connection For Single Ply TSC2.75  
Girder (Supported Trusses Have  
Horizontal and Vertical Reactions)

ITW Building Components Group, Inc. shall not be responsible for any performance failure in a connection due to a deviation from this detail. Any variation from this detail shall be approved in advance by ITW Building Components Group, Inc.



Standard Detail:  
TS025B

Date:  
03/08/07

TrusSteel Detail Category:  
Truss-to-Truss Connection