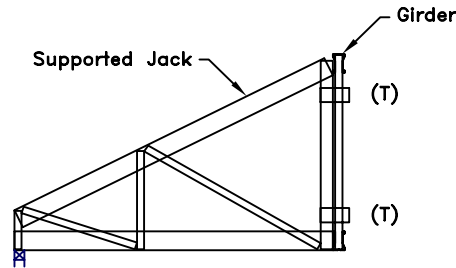


Partial Roof Layout

(T) = TTC; for 2 clip connection, place at top and bottom as shown. For 1 clip connection, place at bottom, or as analyzed.



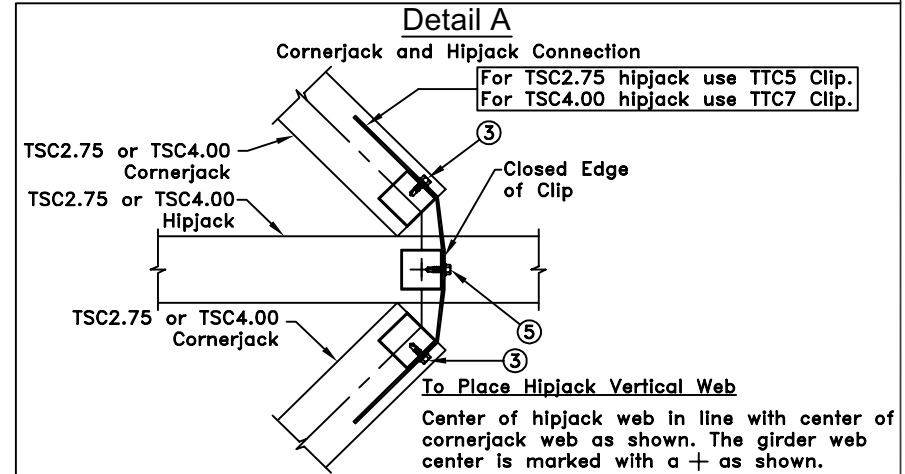
Typical Jack To Girder Connection

| Supported Truss Shown in Detail | Maximum Reaction Per Supported Truss lbs. (kN) | Number of Clips |
|---------------------------------|--|-----------------|
| Cornerjack | 500 (2.22) | 1* |
| Cornerjack | 1000 (4.44) | 2 |
| Hipjack | 1235 (5.49) | 2 |
| Endjack | 1235 (5.49) | 2 |

*1 clip may be used when supported truss height is less than or equal to 4'0" (1219.2mm) and reaction of supported truss does not exceed 500lbs.(2.22kN).

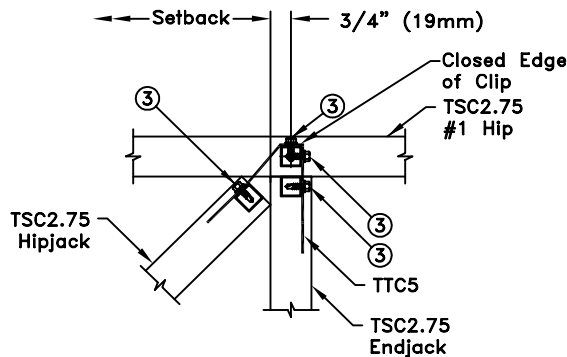
General Notes:

1. The top and bottom chords of all trusses shall be properly connected to structural sheathing or purlins.
2. All edge distances are 3/8" (9.5mm) minimum.
3. All end distances and spacing are 9/16" (14.3mm) minimum.
4. Circled numbers represent quantity of #10 self-drilling tapping screws per clip.
5. Truss must be analyzed with concentrated loads directly in line with correctly placed girder vertical webs. Details A, B, C1, & C2 give correct web placement information.
6. For other connection geometries not shown on this detail contact an TrusSteel Engineer.
7. For multi-ply #1 Hips, refer to Standard Detail TS025D for ply to ply connection requirements.



Detail B1

TSC2.75 Into TSC2.75 Connection

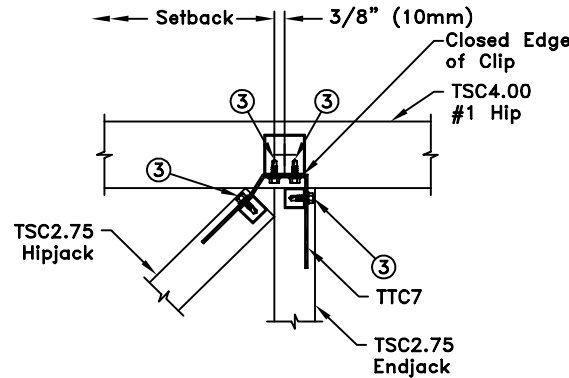


To Place #1 Hip Vertical Web

Edge of #1 hip web in line with edge of endjack web as shown. The girder web center is marked with a + as shown.

Detail B2

TSC2.75 Into TSC4.00 Connection

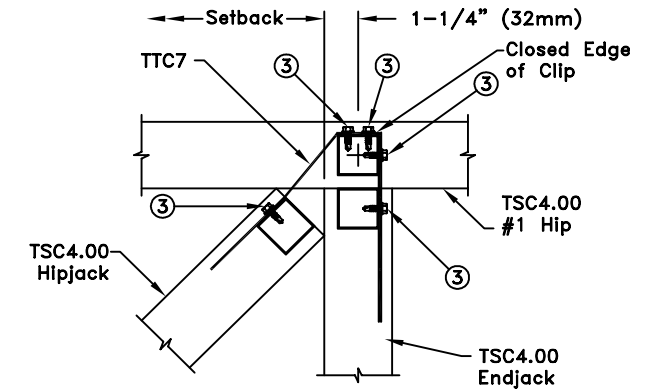


To Place #1 Hip Vertical Web

Edge of #1 hip web in line with edge of endjack web as shown. The girder web center is marked with a + as shown.

Detail B3

TSC4.00 Into TSC4.00 Connection



To Place #1 Hip Vertical Web

Edge of #1 hip web in line with edge of endjack web as shown. The girder web center is marked with a + as shown.

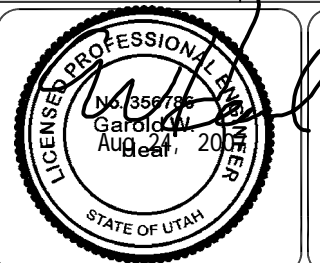


www.TrusSteel.com

Florida: 1950 Marley Drive / Haines City, FL 33844 / (800) 755-6001
 Missouri: 13389 Lakefront Drive / Earth City, MO 63045 / (800) 326-4102
 California: 8351 Rovana Circle / Sacramento, CA 95828 / (800) 877-3678

Hipjack, Endjack And Cornerjack Connection Details

ITW Building Components Group, Inc. shall not be responsible for any performance failure in a connection due to a deviation from this detail. Any variation from this detail shall be approved in advance by ITW Building Components Group, Inc.



Standard Detail:
TS025

Date:
06/11/07

TrusSteel Detail Category:
Truss-To-Truss Connections