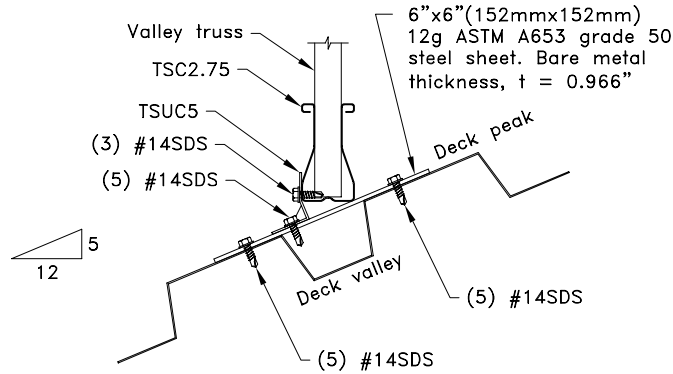
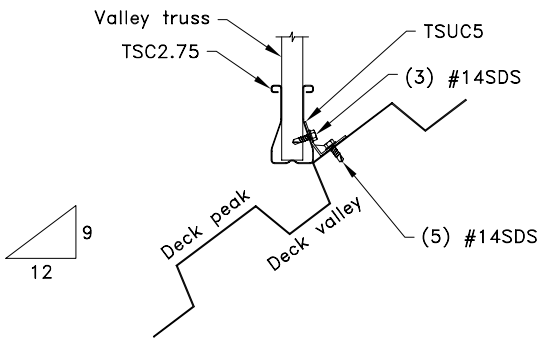


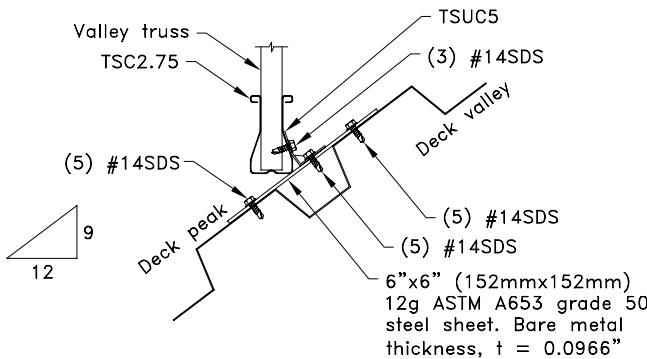
- Detail shown is a TSC2.75 valley truss at a 5/12 max. pitch.
- For a TSC4.00 valley truss maximum pitch is 3/12.
- This connection is to be repeated at 4'0" (1219mm) O.C. along the valley truss bottom chord.
- The TSUC5 may be used in this application when valley truss bottom chord down slope side falls within the deck peak.



- Detail shown is a TSC2.75 valley truss at a 5/12 max. pitch.
- For a TSC4.00 valley truss maximum pitch is 3/12.
- This connection is to be repeated at 4'0" (1219mm) O.C. along the valley truss bottom chord.
- The TSUC5 may be used in this application when valley truss bottom chord down slope side falls within the deck valley.



- Detail shown is a TSC2.75 valley truss at a 9/12 max. pitch.
- For a TSC4.00 valley truss maximum pitch is 9/12.
- Upper portion of clip TSUC5 is to be bent to proper angle to accommodate valley bottom chord.
- This connection is to be repeated at 4'0" (1219mm) O.C. along the valley truss bottom chord.
- The TSUC5 may be used in this application when valley truss bottom chord down slope side falls within the deck peak.



- Detail shown is a TSC2.75 valley truss at a 9/12 max. pitch.
- For a TSC4.00 valley truss maximum pitch is 9/12.
- Upper portion of clip TSUC5 is to be bent to proper angle to accommodate valley bottom chord.
- This connection is to be repeated at 4'0" (1219mm) O.C. along the valley truss bottom chord.
- The TSUC5 may be used in this application when valley truss bottom chord down slope side falls within the deck valley.

General Notes:

1. SDS = self-drilling tapping screw
2. Steel deck to be minimum 22g ($t = 0.0295$ in) ASTM A653 grade 33 steel. Steel decking is to be B-deck or F-deck.
3. Valley truss design
 - Valley trusses to be spaced at 24" (610mm) O.C.
 - Refer to approved truss drawings for valley design
 - Bottom chord panel point not to exceed 4'0" (1219mm) O.C.
4. The minimum pitch for this detail is 1.5/12 (7.13°)
5. Top chord live load is 20.0 PSF (.96 kN/m²) and top chord dead load is 10.0 PSF (.48 kN/m²).
6. ASCE 7-02 wind 140 MPH (63 m/s) 30' (9144mm) Mean Height, closed building, Exp C, Category II, $K_{zt} = 1.0$, and a minimum 5 PSF (0.24 kN/m²) top chord dead load.

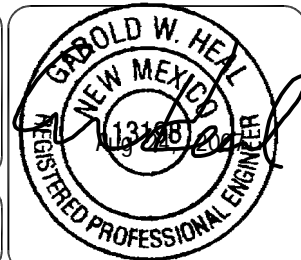


www.TrusSteel.com

Florida: 1950 Marley Drive / Haines City, FL 33844 / (800) 755-6001
 Missouri: 13389 Lakefront Drive / Earth City, MO 63045 / (800) 326-4102
 California: 8351 Rovana Circle / Sacramento, CA 95828 / (800) 877-3678

TrusSteel Valley Connection To Steel Deck

ITW Building Components Group, Inc. shall not be responsible for any performance failure in a connection due to a deviation from this detail. Any variation from this detail shall be approved in advance by ITW Building Components Group, Inc.



Standard Detail:

TS026A

Date:

07/11/07

TrusSteel Detail Category:

Valley Set