

TS6WTC3

Maximum Uplift Capacity lbs. (kN)

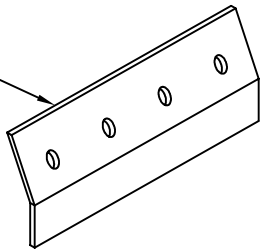
Chord Size/Gauge	Clip on one face	Clip on each face
28TSC2.75 - 22g	550 (2.45)	1640 (7.30)
33TSC2.75 - 20g	550 (2.45)	2040 (9.07)
43TSC2.75 - 18g	550 (2.45)	3040 (13.52)
28TSC4.00 - 22g	820 (3.65)	1640 (7.30)
33TSC4.00 - 20g	1020 (4.54)	2040 (9.07)
43TSC4.00 - 18g	1410 (6.27)	3040 (13.52)
54TSC4.00 - 16g	1410 (6.27)	3490 (15.52)
68TSC4.00 - 14g	1410 (6.27)	3490 (15.52)
97TSC4.00 - 12g	1410 (6.27)	3490 (15.52)

TS1WTC3

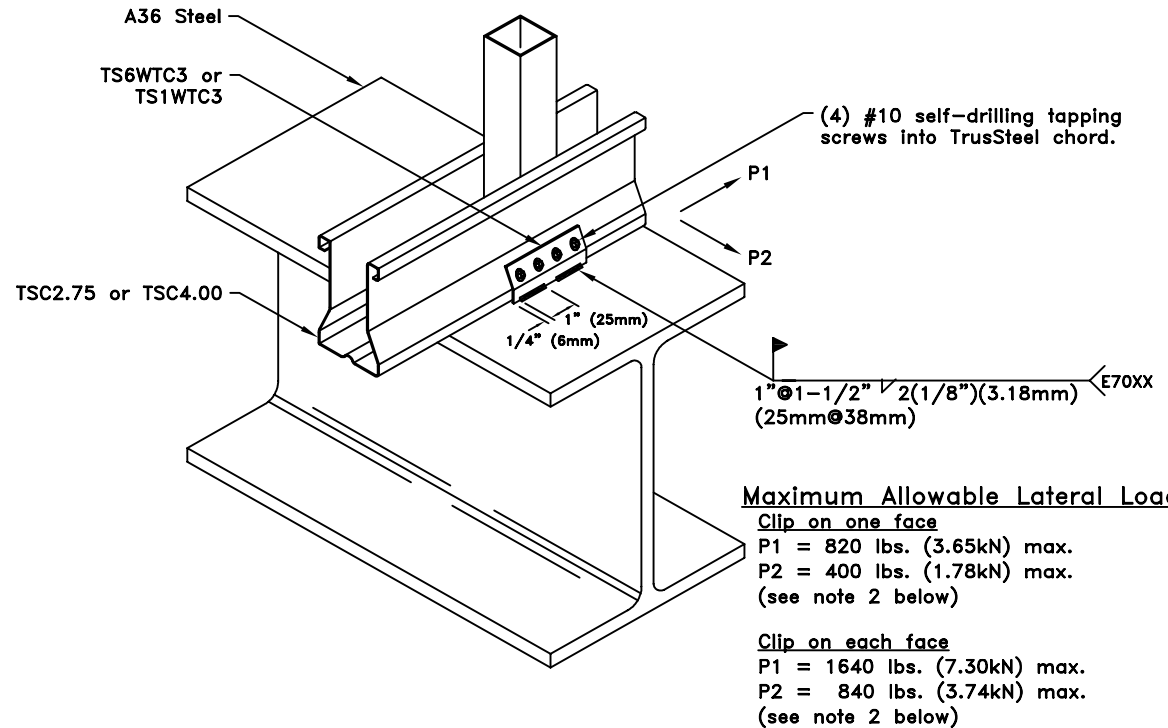
Maximum Uplift Capacity lbs. (kN)

Chord Size/Gauge	Clip on one face	Clip on each face
28TSC2.75 - 22g	550 (2.45)	1640 (7.30)
33TSC2.75 - 20g	550 (2.45)	2040 (9.07)
43TSC2.75 - 18g	550 (2.45)	3040 (13.52)
28TSC4.00 - 22g	820 (3.65)	1640 (7.30)
33TSC4.00 - 20g	1020 (4.54)	2040 (9.07)
43TSC4.00 - 18g	1410 (6.27)	3040 (13.52)
54TSC4.00 - 16g	1410 (6.27)	4180 (18.60)
68TSC4.00 - 14g	1410 (6.27)	4180 (18.60)
97TSC4.00 - 12g	1410 (6.27)	4180 (18.60)

TS6WTC3 or
TS1WTC3



TS6WTC3 is 16g - base metal thickness (t) = 0.0538 in. (1.37mm)
TS1WTC3 is 10g - base metal thickness (t) = 0.128 in. (3.25mm)



General Notes:

1. Attachment of second clip on opposite face of chord is identical to what is detailed.
2. Lateral allowable loads (P1 and P2) shown are maximum values. If these loads are in combination with an uplift load, contact a TrusSteel engineer.
3. Refer to TrusSteel Technical Bulletin 98.10.05 titled "Repair of Galvanized Surfaces" to restore corrosion resistant properties of the connection after welding.
4. If a TS6WTC3 clip is welded to steel in excess of 3/16" (4.76mm) thick the weld shall be qualified in accordance with Chapter 4 of the Structural Welding Code-Sheet Steel (AWS D1.3)
5. The allowable loads outlined in this detail have not been increased by 1.33.

 **TrusSteel**[®]
Division of ITW Building Components Group, Inc.

www.TrusSteel.com

Florida: 1950 Marley Drive / Haines City, FL 33844 / (800) 755-6001
Missouri: 13389 Lakefront Drive / Earth City, MO 63045 / (800) 326-4102
California: 8351 Rovana Circle / Sacramento, CA 95828 / (800) 877-3678

TS6WTC3 or TS1WTC3 Welded Truss Clip to A36 Steel

ITW Building Components Group, Inc. shall not be responsible for any performance failure in a connection due to a deviation from this detail. Any variation from this detail shall be approved in advance by ITW Building Components Group, Inc.



Standard Detail:

TS027

Date:

04/17/07

TrusSteel Detail Category:

Truss-To-Bearing: All Other Materials