

TS6WTC3

Maximum Uplift Capacity lbs. (kN)

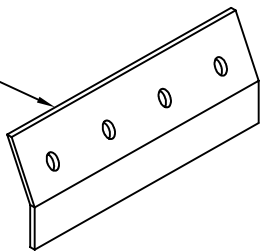
Chord Size/Gauge	Clip on one face	Clip on each face
28TSC2.75 - 22g	550 (2.45)	1640 (7.30)
33TSC2.75 - 20g	550 (2.45)	2040 (9.07)
43TSC2.75 - 18g	550 (2.45)	3040 (13.52)
28TSC4.00 - 22g	820 (3.65)	1640 (7.30)
33TSC4.00 - 20g	1020 (4.54)	2040 (9.07)
43TSC4.00 - 18g	1410 (6.27)	3040 (13.52)
54TSC4.00 - 16g	1410 (6.27)	3490 (15.52)
68TSC4.00 - 14g	1410 (6.27)	3490 (15.52)
97TSC4.00 - 12g	1410 (6.27)	3490 (15.52)

TS1WTC3

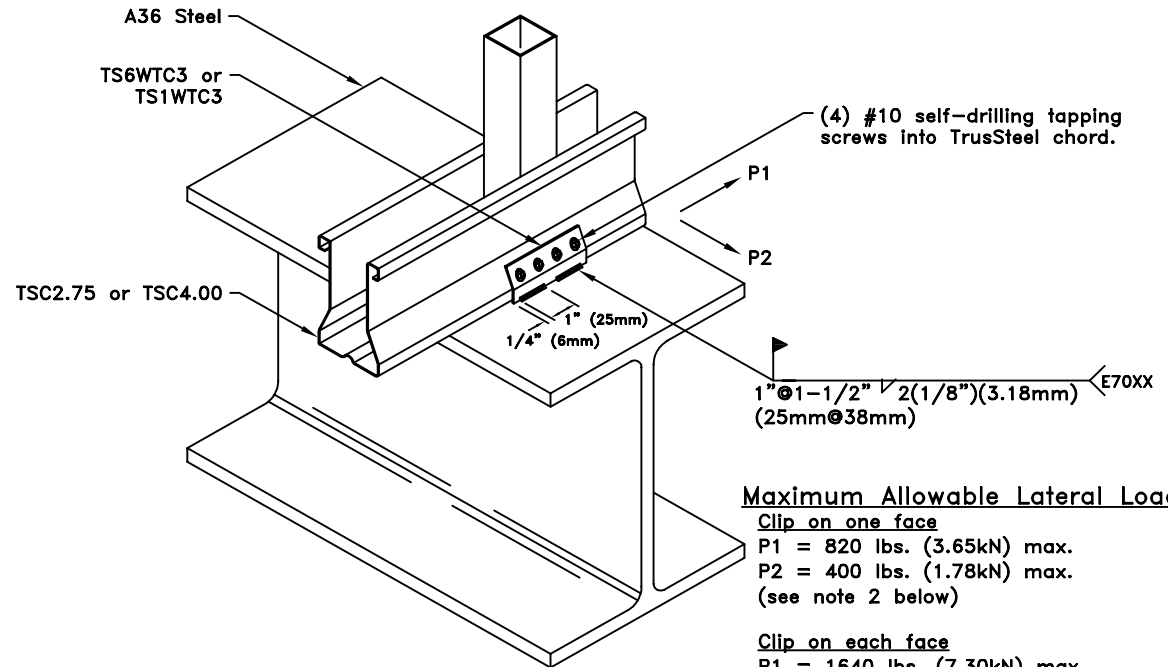
Maximum Uplift Capacity lbs. (kN)

Chord Size/Gauge	Clip on one face	Clip on each face
28TSC2.75 - 22g	550 (2.45)	1640 (7.30)
33TSC2.75 - 20g	550 (2.45)	2040 (9.07)
43TSC2.75 - 18g	550 (2.45)	3040 (13.52)
28TSC4.00 - 22g	820 (3.65)	1640 (7.30)
33TSC4.00 - 20g	1020 (4.54)	2040 (9.07)
43TSC4.00 - 18g	1410 (6.27)	3040 (13.52)
54TSC4.00 - 16g	1410 (6.27)	4180 (18.60)
68TSC4.00 - 14g	1410 (6.27)	4180 (18.60)
97TSC4.00 - 12g	1410 (6.27)	4180 (18.60)

TS6WTC3 or
TS1WTC3



TS6WTC3 is 16g - base metal thickness (t) = 0.0538 in. (1.37mm)
TS1WTC3 is 10g - base metal thickness (t) = 0.128 in. (3.25mm)



Maximum Allowable Lateral Loads

Clip on one face

P1 = 820 lbs. (3.65kN) max.
P2 = 400 lbs. (1.78kN) max.
(see note 2 below)

Clip on each face

P1 = 1640 lbs. (7.30kN) max.
P2 = 840 lbs. (3.74kN) max.
(see note 2 below)

General Notes:

- Attachment of second clip on opposite face of chord is identical to what is detailed.
- Lateral allowable loads (P1 and P2) shown are maximum values. If these loads are in combination with an uplift load, contact a TrusSteel engineer.
- Refer to TrusSteel Technical Bulletin 98.10.05 titled "Repair of Galvanized Surfaces" to restore corrosion resistant properties of the connection after welding.
- If a TS6WTC3 clip is welded to steel in excess of 3/16" (4.76mm) thick the weld shall be qualified in accordance with Chapter 4 of the Structural Welding Code-Sheet Steel (AWS D1.3)
- The allowable loads outlined in this detail have not been increased by 1.33.

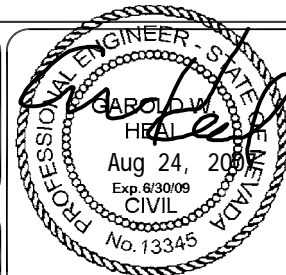
 **TrusSteel**[®]
Division of ITW Building Components Group, Inc.

www.TrusSteel.com

Florida: 1950 Marley Drive / Haines City, FL 33844 / (800) 755-6001
Missouri: 13389 Lakefront Drive / Earth City, MO 63045 / (800) 326-4102
California: 8351 Rovana Circle / Sacramento, CA 95828 / (800) 877-3678

TS6WTC3 or TS1WTC3
Welded Truss Clip
to A36 Steel

ITW Building Components Group, Inc. shall not be responsible for any performance failure in a connection due to a deviation from this detail. Any variation from this detail shall be approved in advance by ITW Building Components Group, Inc.



Standard Detail:

TS027

Date:

04/17/07

TrusSteel Detail Category:

Truss-To-Bearing: All Other Materials