

Maximum Uplift Capacity lbs. (kN)

Wall top plate/min. thickness	Clip on one face	Clip on each face
22g grade 33/0.0269 in. (0.68mm)	170 (0.76)	410 (1.82)
22g grade 50/0.0269 in. (0.68mm)	250 (1.11)	590 (2.62)
20g grade 33/0.0328 in. (0.83mm)	210 (0.93)	500 (2.22)
20g grade 50/0.0328 in. (0.83mm)	310 (1.38)	730 (3.25)
18g grade 33/0.0428 in. (1.09mm)	280 (1.25)	650 (2.89)
18g grade 50/0.0428 in. (1.09mm)	400 (1.78)	950 (4.23)
16g grade 33/0.0538 in. (1.37mm)	350 (1.56)	830 (3.69)
16g grade 50/0.0538 in. (1.37mm)	400 (1.78)	1190 (5.29)
14g grade 33/0.0677 in. (1.72mm)	400 (1.78)	1040 (4.63)
14g grade 50/0.0677 in. (1.72mm)	400 (1.78)	1230 (5.47)
12g grade 33/0.0966 in. (2.45mm)	400 (1.78)	1230 (5.47)
12g grade 50/0.0966 in. (2.45mm)	400 (1.78)	1230 (5.47)

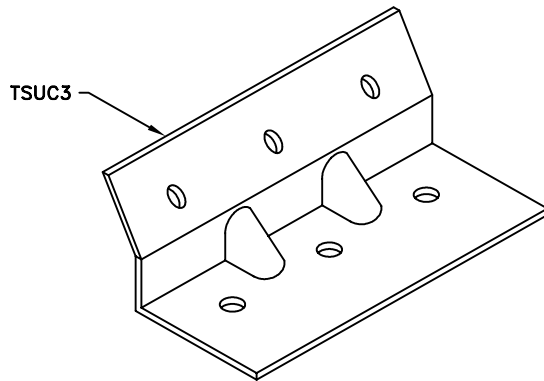
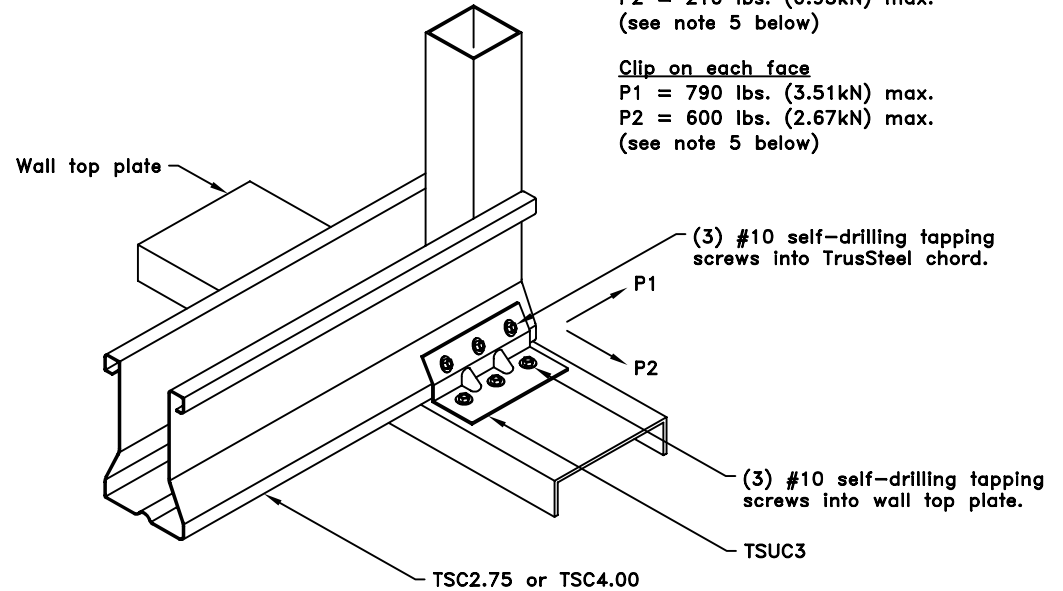
Maximum Allowable Lateral Loads

Clip on one face

P1 = 390 lbs. (1.74kN) max.
 P2 = 210 lbs. (0.93kN) max.
 (see note 5 below)

Clip on each face

P1 = 790 lbs. (3.51kN) max.
 P2 = 600 lbs. (2.67kN) max.
 (see note 5 below)



General Notes:

1. Wall top plate is made of ASTM A653-96 SS grade 33 or grade 50 steel. Top plate width is 3-5/8" (92mm) maximum.
2. Attachment of second clip on opposite face of chord is identical to what is detailed.
3. Connection of top plate to wall stud must be capable of transferring truss uplift load from wall top plate to wall stud.
4. The wall top plate is to be designed by the job engineer. The wall top plate must be designed to support the loads applied to it (downward, upward and lateral).
5. Lateral allowable loads (P1 and P2) shown are maximum values. If these loads are in combination with an uplift load, contact a TrusSteel engineer.
6. The allowable loads outlined in this detail have not been increased by 1.33.

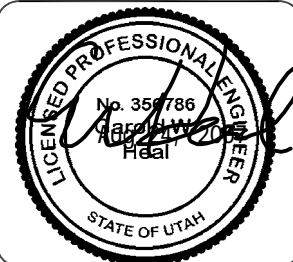


www.TrusSteel.com

Florida: 1950 Marley Drive / Haines City, FL 33844 / (800) 755-6001
 Missouri: 13389 Lakefront Drive / Earth City, MO 63045 / (800) 326-4102
 California: 8351 Rovana Circle / Sacramento, CA 95828 / (800) 877-3678

TSUC3 Uplift Attachment To Cold-Formed Steel

ITW Building Components Group, Inc. shall not be responsible for any performance failure in a connection due to a deviation from this detail. Any variation from this detail shall be approved in advance by ITW Building Components Group, Inc.



Standard Detail:

TS028

Date:

05/30/07

TrusSteel Detail Category:

Truss-To-Bearing: All Other Materials