

Without Special Inspection

Maximum Uplift Capacity lbs. (kN)

Concrete Strength, f'c psi (MPa)	Clip on one face	Clip on each face
2000 (13.79)	160 (0.71)	380 (1.69)
3000 (20.68)	170 (0.76)	410 (1.82)
4000 (27.58)	190 (0.85)	440 (1.96)
5000 (34.47)	190 (0.85)	440 (1.96)

With Special Inspection

Maximum Uplift Capacity lbs. (kN)

Concrete Strength, f'c psi (MPa)	Clip on one face	Clip on each face
2000 (13.79)	320 (1.42)	760 (3.38)
3000 (20.68)	340 (1.51)	820 (3.65)
4000 (27.58)	370 (1.65)	890 (3.96)
5000 (34.47)	370 (1.65)	890 (3.96)

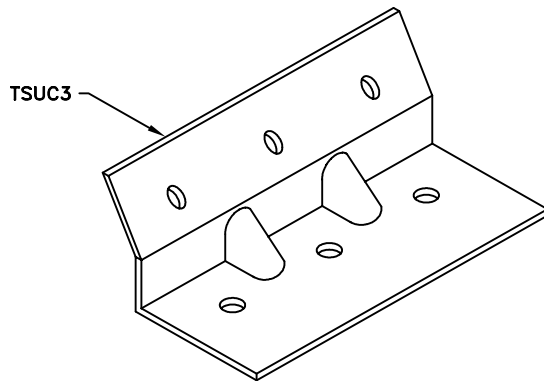
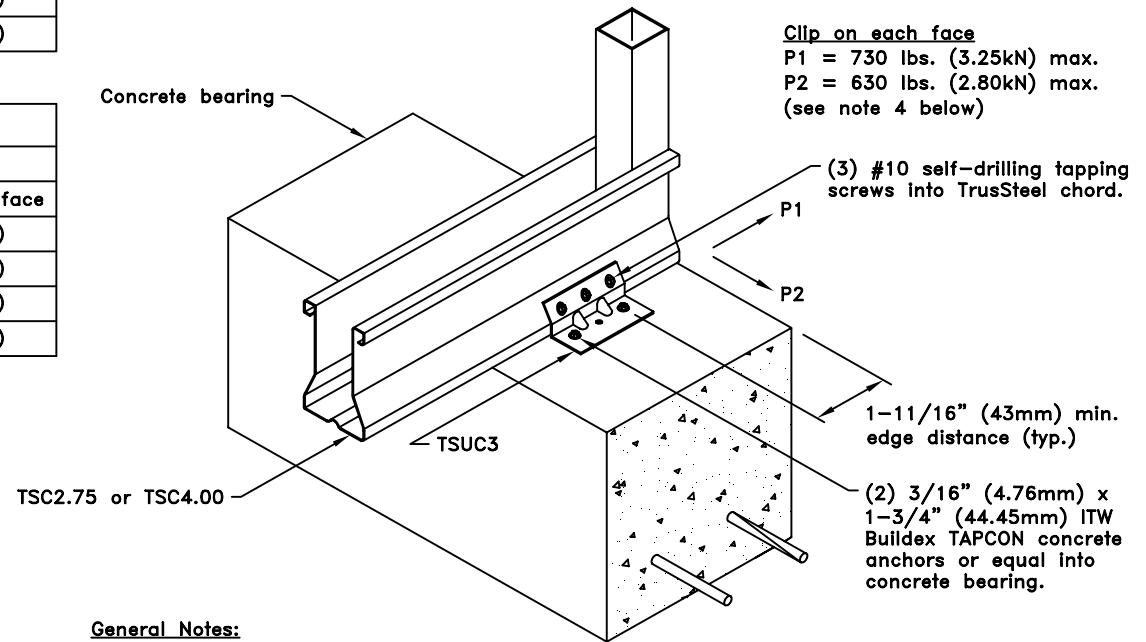
Maximum Allowable Lateral Loads

Clip on one face

P1 = 360 lbs. (1.60kN) max.
 P2 = 320 lbs. (1.42kN) max.
 (see note 4 below)

Clip on each face

P1 = 730 lbs. (3.25kN) max.
 P2 = 630 lbs. (2.80kN) max.
 (see note 4 below)



General Notes:

1. Attachment of second clip on opposite face of chord is identical to what is detailed.
2. TAPCON concrete anchor spacing is 2" (51mm) minimum. Fill outside holes of TSUC3 clip.
3. Refer to manufacturers specification regarding proper installation of anchor.
4. Lateral allowable loads (P1, P2) shown are maximum values. If these loads are in combination with an uplift load, contact a TrusSteel engineer or refer to the concrete anchor manufacturers code approval.
5. Concrete anchor is not to be installed until concrete has reached the specified design strength.
6. Reference manufacturer's code approval for other concrete anchors, and definition of Special Inspection.
7. The allowable loads outlined in this detail have not been increased by 1.33.
8. Per manufacturer's code approval, the design values given above are for uncracked concrete only.

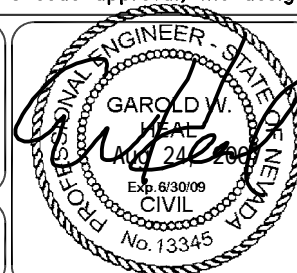


www.TrusSteel.com

Florida: 1950 Marley Drive / Haines City, FL 33844 / (800) 755-6001
 Missouri: 13389 Lakefront Drive / Earth City, MO 63045 / (800) 326-4102
 California: 8351 Rovana Circle / Sacramento, CA 95828 / (800) 877-3678

TSUC3 Uplift Attachment To Concrete

ITW Building Components Group, Inc. shall not be responsible for any performance failure in a connection due to a deviation from this detail. Any variation from this detail shall be approved in advance by ITW Building Components Group, Inc.



Standard Detail:

TS030

Date:

06/07/07

TrusSteel Detail Category:

Truss-To-Bearing: Concrete