

Maximum Uplift Capacity lbs. (kN)		
Wall top plate species	Clip on one face	Clip on each face
Spruce-Pine-Fir	380 (1.69)	910 (4.05)
Hem-Fir	400 (1.78)	960 (4.27)
Douglas Fir-Larch	400 (1.78)	1230 (5.47)
Southern Pine	400 (1.78)	1230 (5.47)

- The allowable loads controlled by wood screw pullout have been increased by a duration factor of 1.6 for wind and seismic loads.

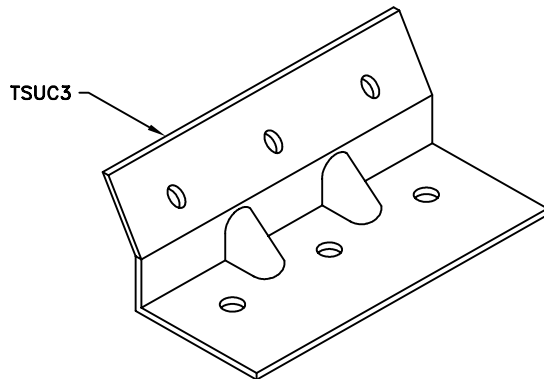
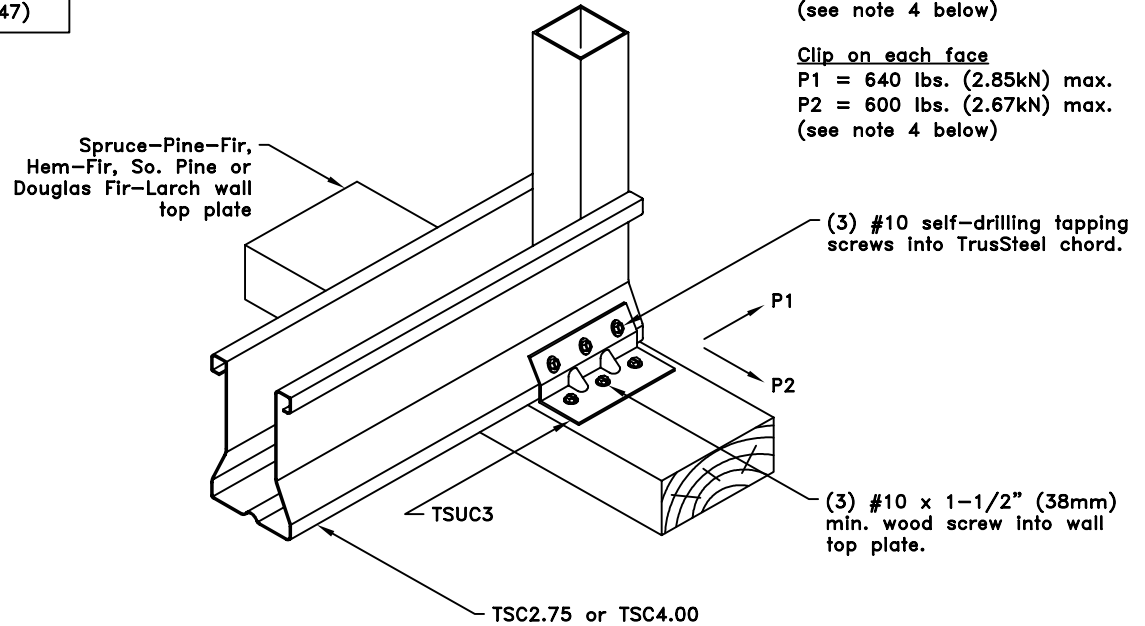
Maximum Allowable Lateral Loads

Clip on one face

P1 = 320 lbs. (1.42kN) max.
P2 = 210 lbs. (0.93kN) max.
(see note 4 below)

Clip on each face

P1 = 640 lbs. (2.85kN) max.
P2 = 600 lbs. (2.67kN) max.
(see note 4 below)



General Notes:

- 2" (38mm) x 4" (89mm) or larger top plate may be used.
- Attachment of second clip on opposite face of chord is identical to what is detailed.
- Connection of top plate to wall stud must be capable of transferring truss uplift load from wall top plate to wall stud.
- Lateral allowable loads (P1, P2) shown are maximum values. If these loads are in combination with an uplift load, contact a TrusSteel engineer or refer to the concrete anchor manufacturers code approval.
- Wood screws require a lead hole to be drilled before insertion of screw. Diameter of lead hole to be 9/64" (3.57mm).
- The allowable loads outlined in this detail have not been increased by 1.33.

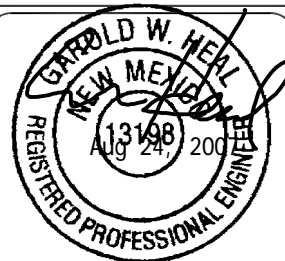
 **TrusSteel**[®]
Division of ITW Building Components Group, Inc.

www.TrusSteel.com

Florida: 1950 Marley Drive / Haines City, FL 33844 / (800) 755-6001
Missouri: 13389 Lakefront Drive / Earth City, MO 63045 / (800) 326-4102
California: 8351 Rovana Circle / Sacramento, CA 95828 / (800) 877-3678

TSUC3 Uplift Attachment To Wood

ITW Building Components Group, Inc. shall not be responsible for any performance failure in a connection due to a deviation from this detail. Any variation from this detail shall be approved in advance by ITW Building Components Group, Inc.



Standard Detail:
TS032

Date:
06/04/07

TrusSteel Detail Category:

Truss-To-Bearing: All Other Materials