

Maximum Uplift Capacity From Any Loads lbs. (kN)		
Steel thickness	Clip on one face	Clip on each face
3/16" (4.76mm)	400 (1.78)	940 (4.18)
1/4" (6.35mm)	400 (1.78)	1230 (5.47)
3/8" (9.53mm)	400 (1.78)	1230 (5.47)
1/2" (12.70mm)	400 (1.78)	1230 (5.47)

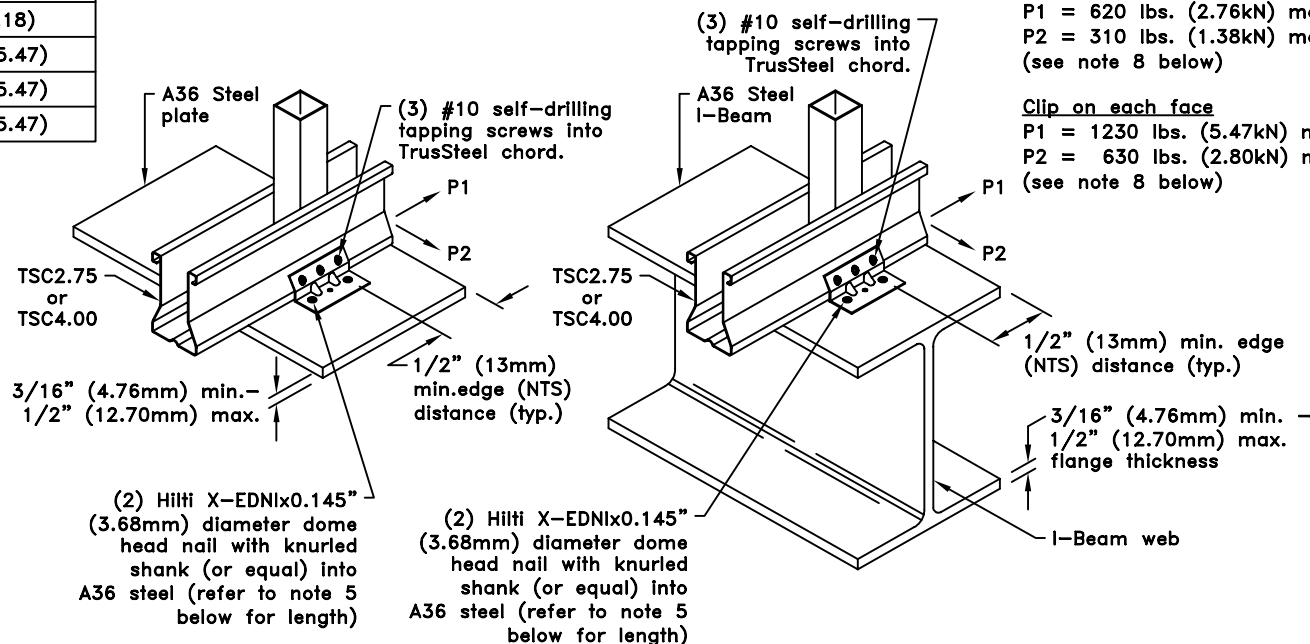
Maximum Allowable Lateral Loads

Clip on one face

P1 = 620 lbs. (2.76kN) max.
P2 = 310 lbs. (1.38kN) max.
(see note 8 below)

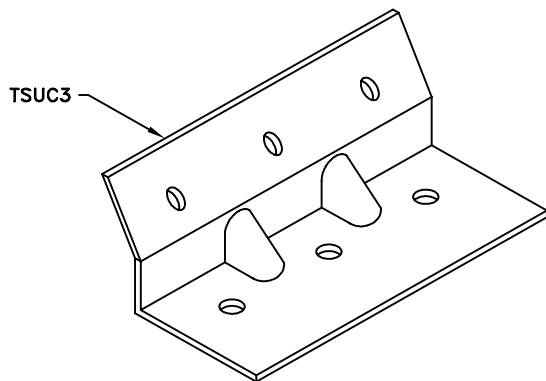
Clip on each face

P1 = 1230 lbs. (5.47kN) max.
P2 = 630 lbs. (2.80kN) max.
(see note 8 below)



General Notes:

1. Attachment of second clip on opposite face of chord is identical to what is detailed.
2. Install pins in the two outside holes of TSUC3 clip. Pin spacing is 1-1/2" (38mm) minimum.
3. Pins must be driven through existing holes in TSUC3 clip and be driven perpendicular to steel surface.
4. Care must be taken to insure pins are not overdriven. Pins that are overdriven may puncture surface of TSUC3 clip causing damage. If TSUC3 clip is damaged, the connection will not carry any load.
5. Pin length must be long enough to insure the tip either penetrates completely through the steel, or shows evidence of the steel "budding" that occurs just before penetration.
6. Do not install pins into area of beam flange directly above beam web.
7. Refer to manufacturers specification and code approval regarding proper installation of anchor.
8. Lateral allowable loads (P1 and P2) shown are maximum values. If these loads are in combination with an uplift load, contact a TrusSteel engineer.
9. Reference manufacturers code approval for other steel pins.
10. The allowable loads outlined in this detail have not been increased by 1.33.



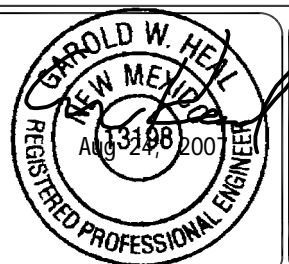
 **TrusSteel**[®]
Division of ITW Building Components Group, Inc.

www.TrusSteel.com

Florida: 1950 Marley Drive / Haines City, FL 33844 / (800) 755-6001
Missouri: 13389 Lakefront Drive / Earth City, MO 63045 / (800) 326-4102
California: 8351 Rovana Circle / Sacramento, CA 95828 / (800) 877-3678

TSUC3 Uplift Attachment To A36 Steel Using Pins

ITW Building Components Group, Inc. shall not be responsible for any performance failure in a connection due to a deviation from this detail. Any variation from this detail shall be approved in advance by ITW Building Components Group, Inc.



Standard Detail:
TS039

Date:
04/17/07

TrusSteel Detail Category:
Truss-To-Bearing: All Other Materials