

Maximum Uplift Capacity From Any Loads lbs. (kN)		
Steel thickness	Clip on one face	Clip on each face
1/8" (3.18mm) to 1/2" (12.70mm)	400 (1.78)	1230 (5.47)

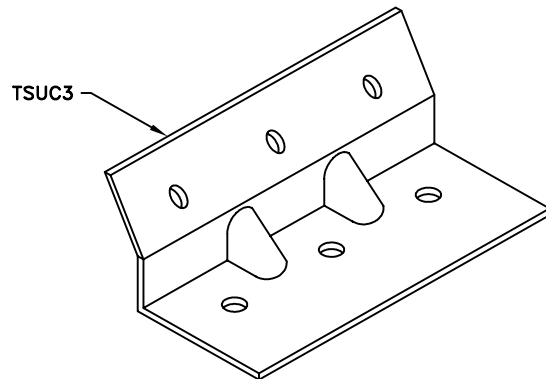
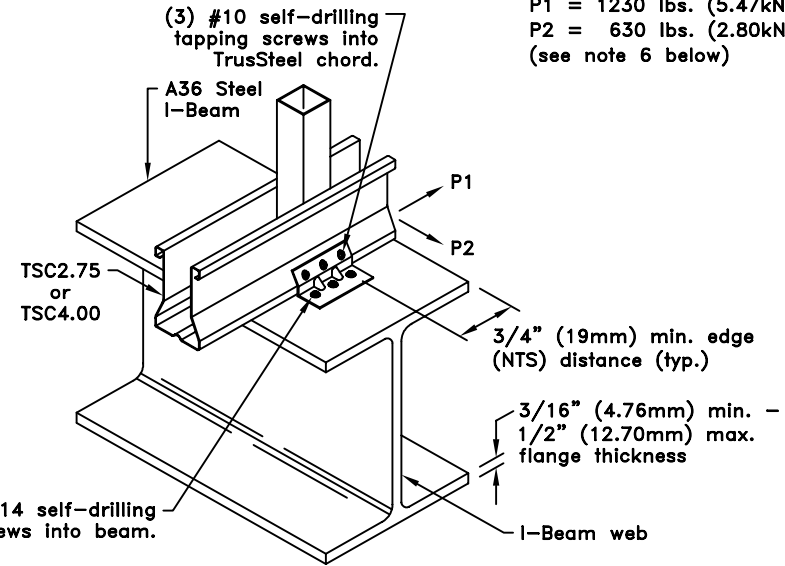
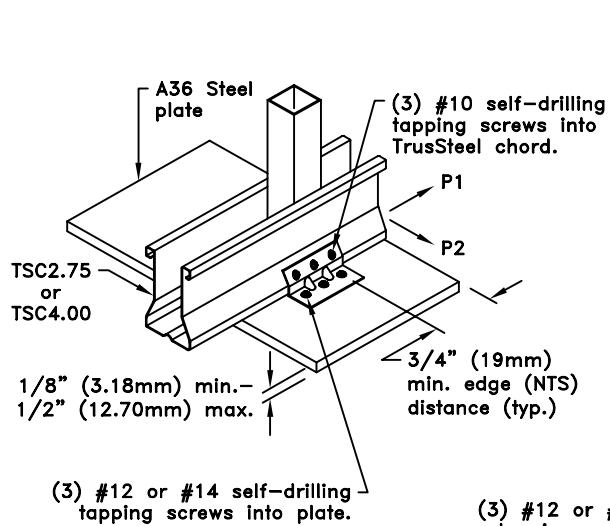
### Maximum Allowable Lateral Loads

#### Clip on one face

P1 = 620 lbs. (2.76kN) max.  
P2 = 310 lbs. (1.38kN) max.  
(see note 6 below)

#### Clip on each face

P1 = 1230 lbs. (5.47kN) max.  
P2 = 630 lbs. (2.80kN) max.  
(see note 6 below)



#### General Notes:

1. Select proper screw for flange thickness. Refer to screw manufacturers recommendation.
2. Attachment of second clip on opposite face of chord is identical to what is detailed.
3. Do not overdriven screws. Overdriven screws may strip out TrusSteel chord.
4. Do not drive screws into are of beam flange directly above beam web.
5. Refer to manufacturers specification and code approval regarding proper installation of #12 or #14 self-drilling tapping screws into steel thickness shown above.
6. Lateral allowable loads (P1 and P2) shown are maximum values. If these loads are in combination with an uplift load, contact a TrusSteel engineer.
7. The allowable loads outlined in this detail have not been increased by 1.33.

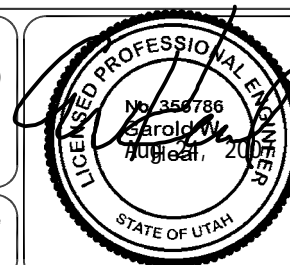
 **TrusSteel**<sup>®</sup>  
Division of ITW Building Components Group, Inc.

[www.TrusSteel.com](http://www.TrusSteel.com)

Florida: 1950 Marley Drive / Haines City, FL 33844 / (800) 755-6001  
Missouri: 13389 Lakefront Drive / Earth City, MO 63045 / (800) 326-4102  
California: 8351 Rovana Circle / Sacramento, CA 95828 / (800) 877-3678

TSUC3 Uplift Attachment To  
A36 Steel Using Screws

ITW Building Components Group, Inc. shall not be responsible for any performance failure in a connection due to a deviation from this detail. Any variation from this detail shall be approved in advance by ITW Building Components Group, Inc.



Standard Detail:

TS047

Date:

06/04/07

TrusSteel Detail Category:

Truss-To-Bearing: All Other Materials