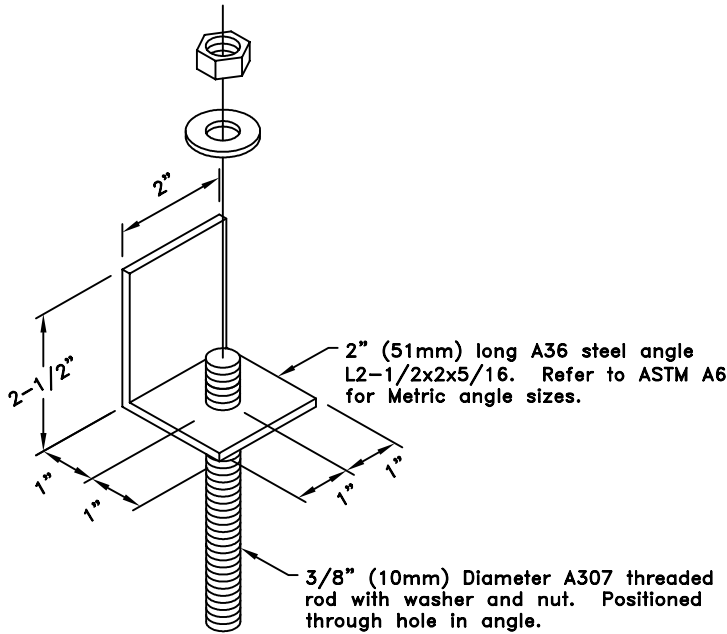
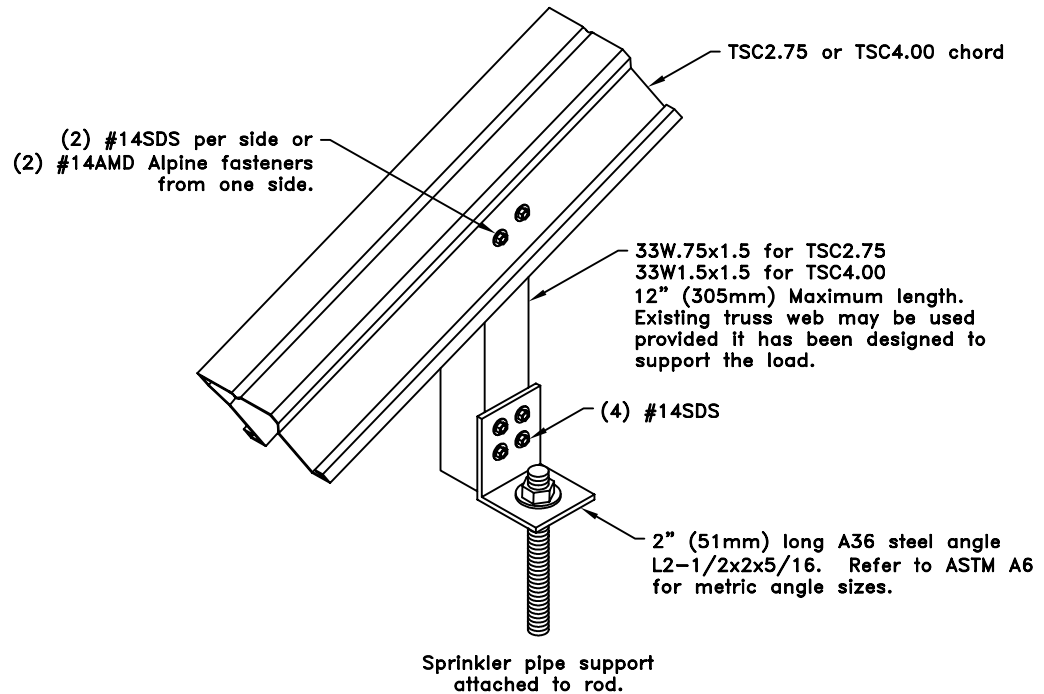


Sprinkler Pipe Dia. in. (mm)	Maximum Allowable Hanger Load lbs. (kN)
1-1/2 (38)	520 (2.31)

- Allowable hanger loads based on 15' (4572mm) hanger spacing.



Note: Multiply above units by 25.4 for millimeters.



General Notes:

1. SDS = self-drilling tapping screw
2. Screw spacing and end distance is 3/4" (19mm).
3. This detail is only for the design of the sprinkler pipe hanger. Contact a TrusSteel engineer for the proper truss loading procedures.
4. It is the responsibility of the architect or engineer of record to review this hanger design to verify it conforms with the overall sprinkler system support design.
5. Allowable hanger load determined from the National Fire Protection Association NFPA13 titled "Installation of Sprinkler Systems".
6. Maximum sprinkler pipe size that can be supported by this detail is 8" (203mm) in diameter.
7. Pipe weight determined using schedule 40 steel pipe.
8. Pipe hanger spacing not to exceed 12' (3658mm) for pipes up to and including 1-1/4" (32mm) diameter and 15' (4572mm) for pipes greater than 1-1/4" (32mm) diameter per NFPA13.

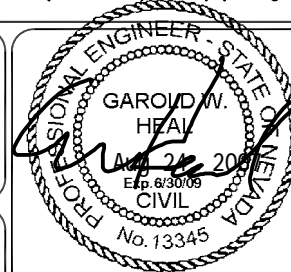
 **TrusSteel**[®]
Division of ITW Building Components Group, Inc.

www.TrusSteel.com

Florida: 1950 Marley Drive / Haines City, FL 33844 / (800) 755-6001
Missouri: 13389 Lakefront Drive / Earth City, MO 63045 / (800) 326-4102
California: 8351 Rovana Circle / Sacramento, CA 95828 / (800) 877-3678

Top Chord Sprinkler Pipe
Hanger For 1-1/2" (38mm)
Maximum Diameter Pipe

ITW Building Components Group, Inc. shall not be responsible for any performance failure in a connection due to a deviation from this detail. Any variation from this detail shall be approved in advance by ITW Building Components Group, Inc.



Standard Detail:
TS049A

Date:
06/04/07

TrusSteel Detail Category:
Sprinkler Pipe Hangers