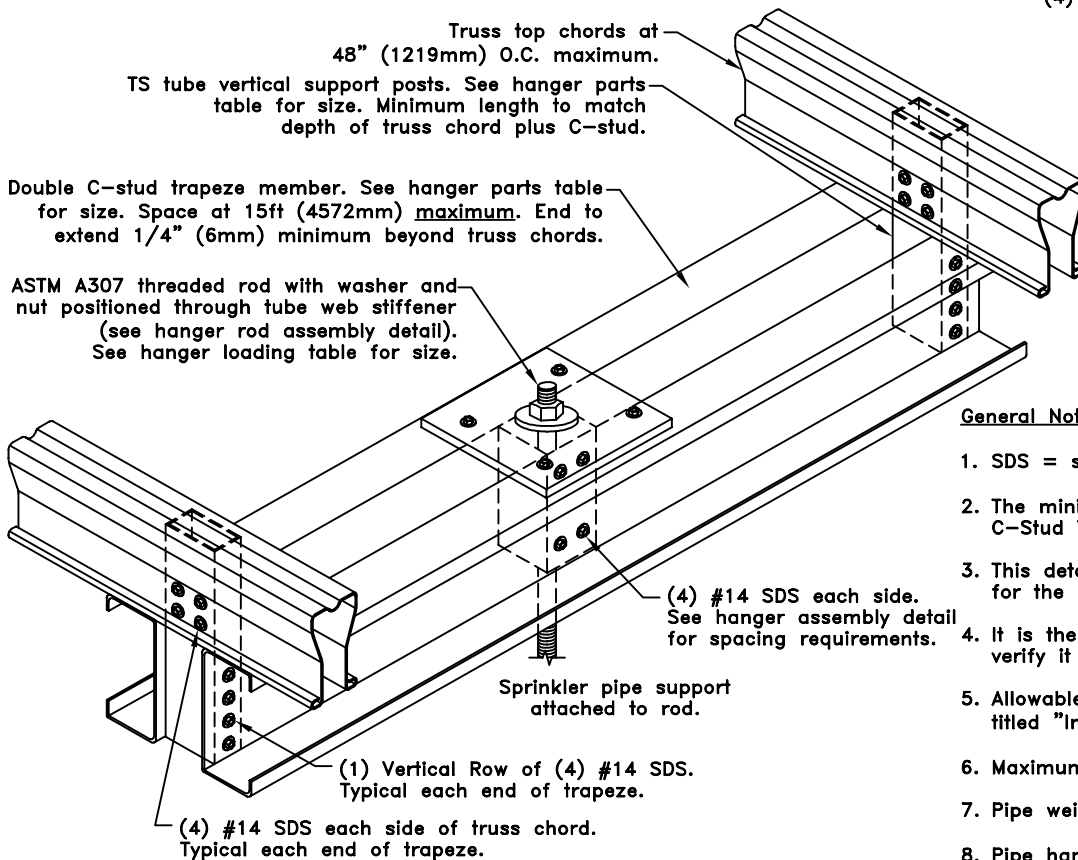


Hanger Parts Table			
Maximum Sprinkler Pipe Dia. 5 in. (127mm)			
Truss Chord Size	Trusses at 24" (610mm) O.C.		Trusses at 48" (1219mm) O.C.
	Trapeze Member		Support Post
TSC2.75	(2)362S162-43	*(2)362S162-68	33W.75x1.5
TSC2.75	(2)600S162-33	*(2)600S162-43	33W.75x1.5
TSC4.00	(2)362S162-43	*(2)362S162-68	33W1.5x1.5
TSC4.00	(2)600S162-33	*(2)600S162-43	33W1.5x1.5

*Grade 50 steel required.



Note: Hanger rod assembly may be placed anywhere along the trapeze.

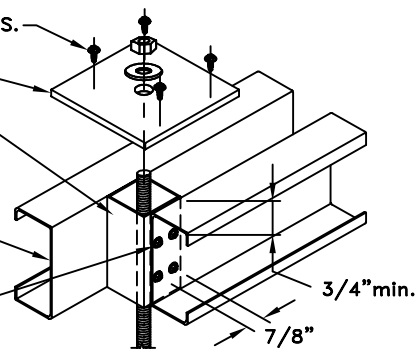
Attach plate to each C-stud w/ (2) #14 SDS.

4"x4"x1/4" ASTM A36 steel plate.

33W1.5x1.5 Web stiffener at applied load. See hanger parts table for size. Length to match depth of trapeze.

Sprinkler pipe trapeze. See hanger parts table for size.

(4) #14 SDS each side at web stiffener.



Hanger Rod Assembly Detail

Note: Multiply above units by 25.4 for millimeters.

Hanger Loading Table		
5 in. (127mm) Maximum Diameter Pipe		
Sprinkler Pipe Diameter in. (mm)	Maximum Allowable Hanger Load lbs. (kN)	Threaded Rod Dia. in. (mm)
2 1/2 (25)	840 (3.74)	3/8 (10)
3 (76)	1060 (4.71)	3/8 (10)
3 1/2 (89)	1260 (5.60)	3/8 (10)
4 (102)	1475 (6.55)	3/8 (10)
5 (127)	2000 (8.90)	1/2 (13)

* Allowable hanger loads based on maximum hanger spacing. (see note 8)

General Notes:

1. SDS = self-drilling tapping screw. Screw spacing, end and edge distance is 3/4" (19mm) min.
2. The minimum yield strengths of materials are as follows (unless otherwise noted): C-Stud Trapeze = 33ksi, Tube steel support posts = 45ksi, TrusSteel Chords = 55ksi.
3. This detail is only for the design of the sprinkler pipe hanger. Contact a TrusSteel engineer for the proper truss loading procedures.
4. It is the responsibility of the architect or engineer of record to review this hanger design to verify it conforms with the overall sprinkler system support design.
5. Allowable hanger load determined from the National Fire Protection Association NFPA13 1999 titled "Installation of Sprinkler Systems".
6. Maximum sprinkler pipe size that can be supported by this detail is 5" (127mm) in diameter.
7. Pipe weight determined using schedule 40 steel pipe.
8. Pipe hanger spacing not to exceed 12' (3658mm) for pipes up to and including 1-1/4" (32mm) diameter and 15' (4572mm) for pipes greater than 1-1/4" (32mm) diameter per NFPA13 1999.
9. Vertical truss web may be used as trapeze support post provided it is designed to carry additional sprinkler loads per proper truss loading procedures.

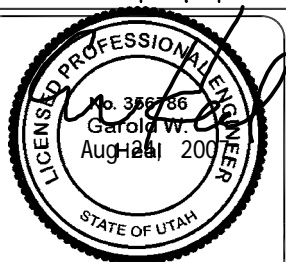
 **TrusSteel**[®]
Division of ITW Building Components Group, Inc.

www.TrusSteel.com

Florida: 1950 Marley Drive / Haines City, FL 33844 / (800) 755-6001
Missouri: 13389 Lakefront Drive / Earth City, MO 63045 / (800) 326-4102
California: 8351 Rovana Circle / Sacramento, CA 95828 / (800) 877-3678

Double C-Stud Sprinkler
Trapeze at Top Chord for
5" (127mm) Max. Diameter Pipe

ITW Building Components Group, Inc. shall not be responsible for any performance failure in a connection due to a deviation from this detail. Any variation from this detail shall be approved in advance by ITW Building Components Group, Inc.



Standard Detail:
TS049H

Date:
06/04/07

TrusSteel Detail Category:
Top Chord Sprinkler Hanger